

HOFMANN®



monty 1575

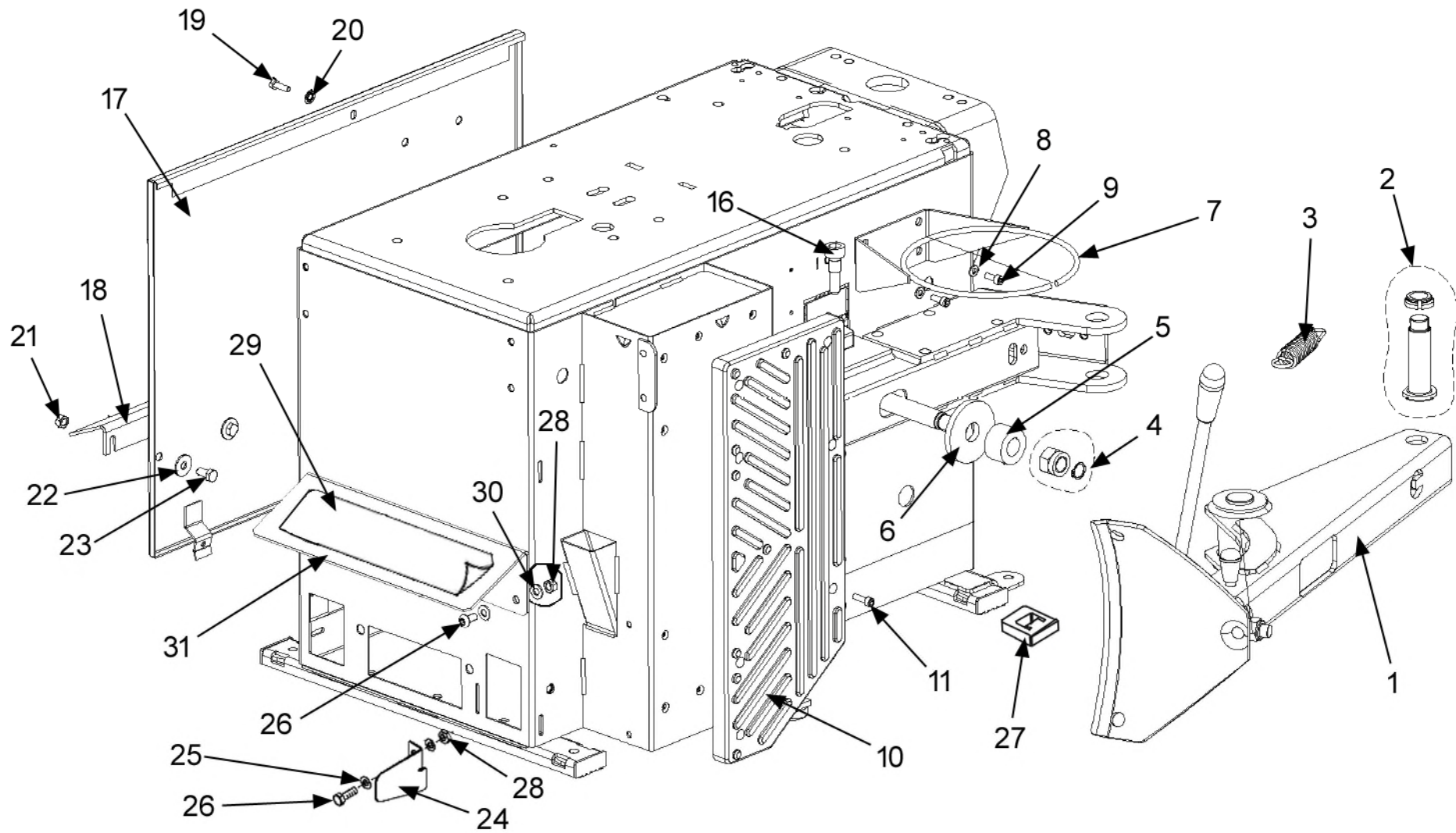
Spare Parts List



BOM Monty1575B Monty 1575

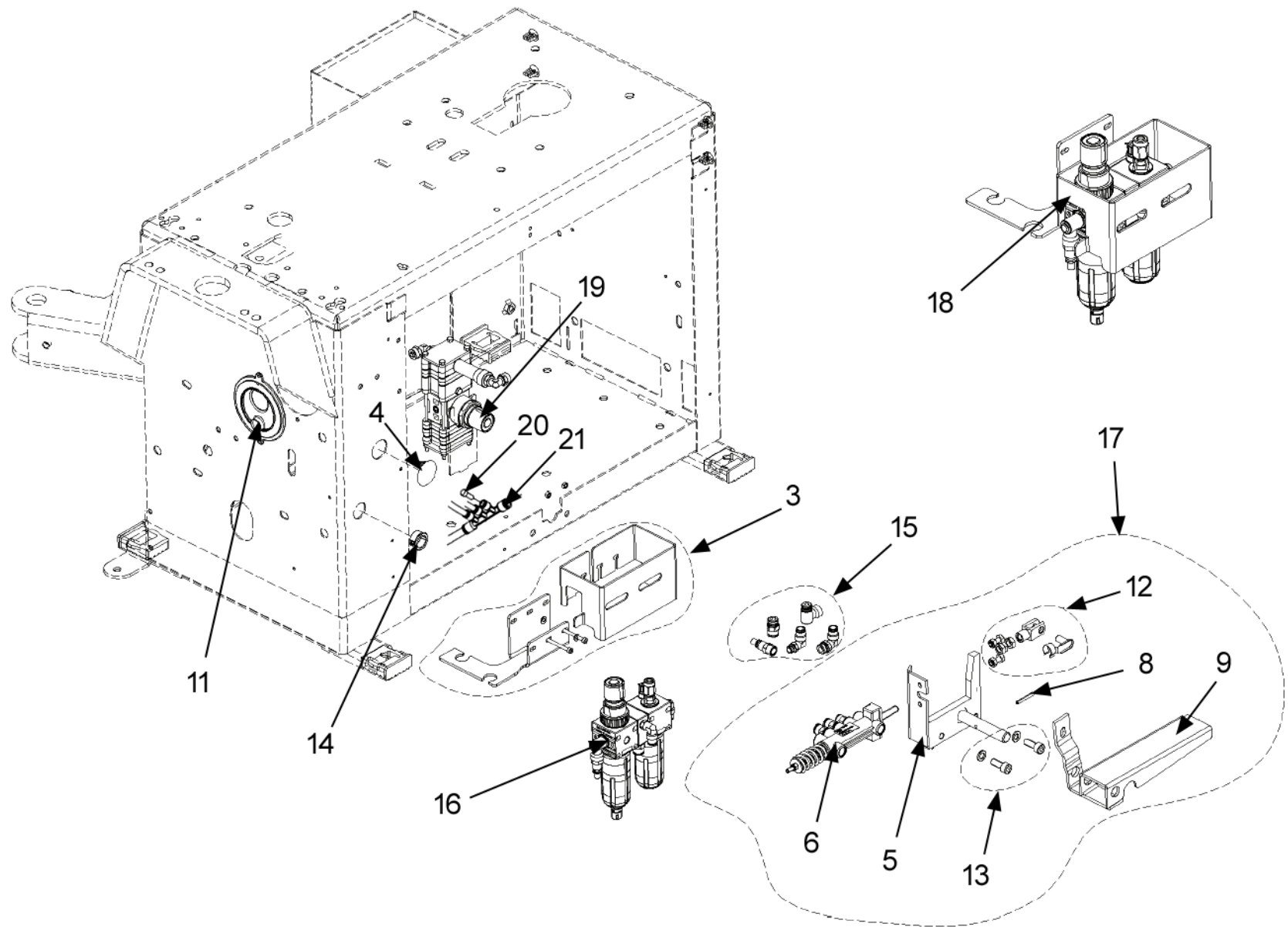
Part Number	Quantity	Description
EAA0270J30A	1	Tire Changer Assy-Monty 1575B
ZEEWH741B9	1	Lit Pack - Monty 1575
EAC0097G47A	1	Wave Tire Mounting Lever
EAC0113G61A	5	Rim Protector Plastic
EAC0078G13A	5	Back Plstc Rim Protector
EAK0329G86A	1	Lightalloy Rim Protector Front Only
8-03229A	1	Lubricant-Tire Mounting 75N
5-14126A	1	Brush Tire Lube Applicator
4027094	1	Holder Lube Bottle
01267267000	1	Wire Dauber
00066006000	1	Bottle-Lube
EAL0467G92A	1	Decal Tc Lever Warning
EAL0408G12A	1	Label Patents
EAL0413G31A	1	Label Ground
EAC0100G55A	3	Label Sealing Hole
24212	1	Placard Danger Tc Eng Spanish
EAL0408G24A	1	Label Oil
EAL0383G34A	1	Label Danger
EAL0383G01A	1	Rotation Direction Label
EAL0467G25A	1	Decal Drain Water
EAL0413G34A	1	Label Inflator
EAL0412G13A	1	Stickers Pedal
EAL0383G32A	1	Label Danger
16511	1	Label-Danger

Part Number	Quantity	Description
EAL0395G89A	2	Decal Hofmann
EAL0413G83A	1	Label Monty 1575
EAL0383G10A	1	Label Hofmann
25701	1	Label-No Adjust
EAL0408G25A	1	Label Pressure Min Max

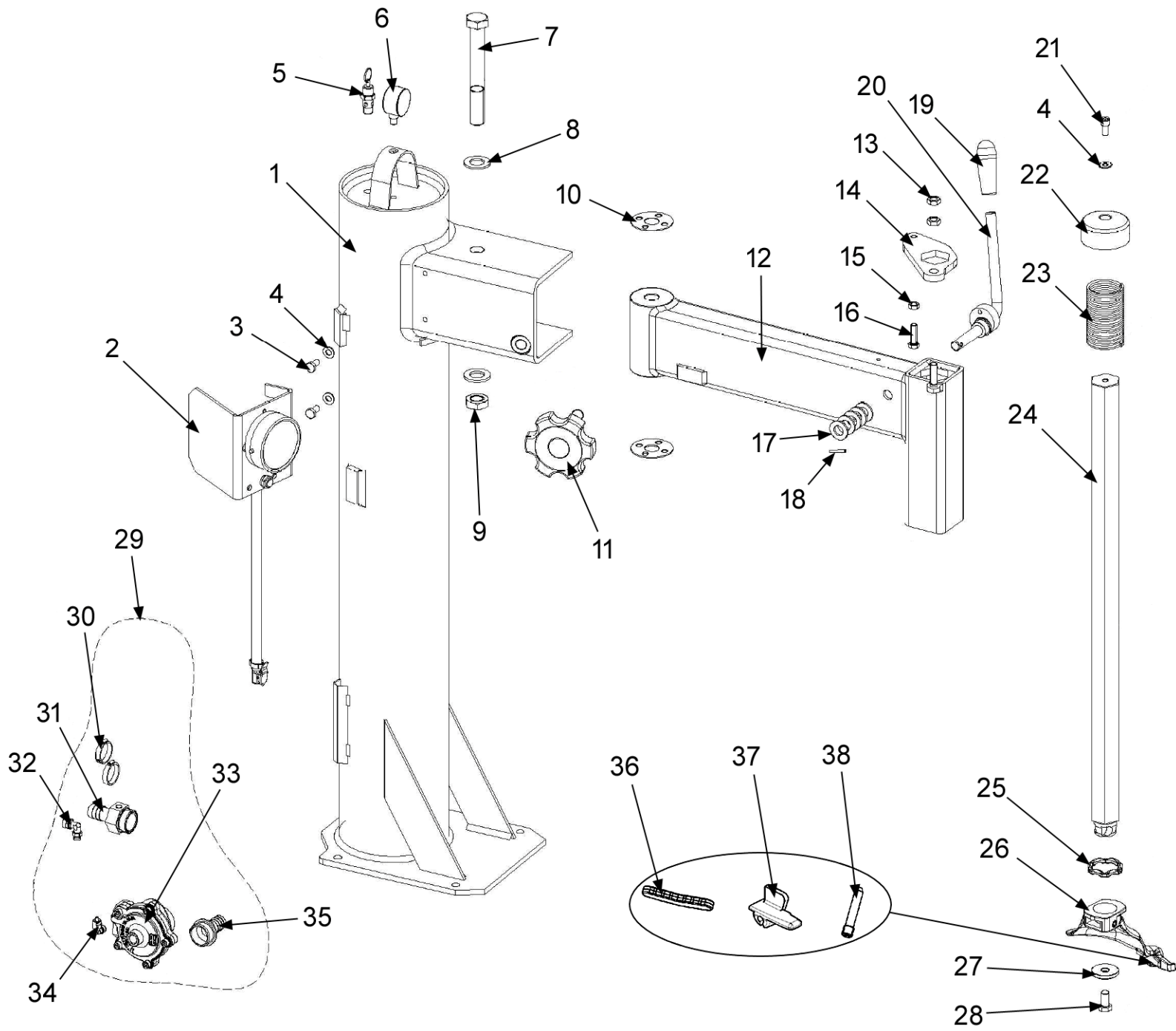


Ref	Qty	Part Number	Description
1	1	EAA0338G45A	Bead Breaker Assembly
2	1	EAK0306G20A	Fulcrum Kit For Bead Breaker Arm
	1	EAM0086G16A	Pin Bead Breaker Arm
	1	1-02138A	Nut Ring M20
3	1	EAM0067G69A	Spring-Recall Arm, Bead Breaker
4	1	EAK0306G23A	Fixing Kit For Bead Breaker Arm
	1	1-3977	Retaining Ring
	1	1-20933A	Nut Lock M18 - 1.5
5	1	EAC0097G51A	Washer - Shock Absorber
6	1	4422	Washer,Support-Bead Breaker
7	1	EAA0349G76A	Ring- Box, Grease
8	2	1-9841	Washer,Plain D6 Zinc.
9	2	1-16309	Screw Hex Socket M 6x16
10	1	EAC0099G22A	Pad- Support, Beadbreaaker
11	7	1-16409A	Screw Tcei 6x20 8G
16	2	EAM0067G34A	Screw,Fitting- Cylinder B/Break
17	1	EAS2029J62A	Black Side Panel
18	1	EAS2115G83A	Protector,Pedal
19	1	1-30901A2	Screw Te 6x20 8G

Ref	Qty	Part Number	Description
20	1	1-1548	Washer-Lock D.6
21	2	1-15933A	Nut M8 1-11733
22	2	1-17841	Washer - D. 8x24
23	2	1-32501A	Screw 8x16 8G
24	1	EAS2100G95A	Pedal-Reverser Protection
25	2	1-17741	Washer D.8
26	3	1-32601	Screw - M8 x 20mm Hex Head
27	4	EAC0097G52A	Foot Square
28	3	1-15933A	Nut Hex M8 - 1.25mm
29	1	EAL0412G13A	Sticker-Pedals
30	2	1-10041	Washer M8
31	1	EAS2115G04A	Pedal Protection

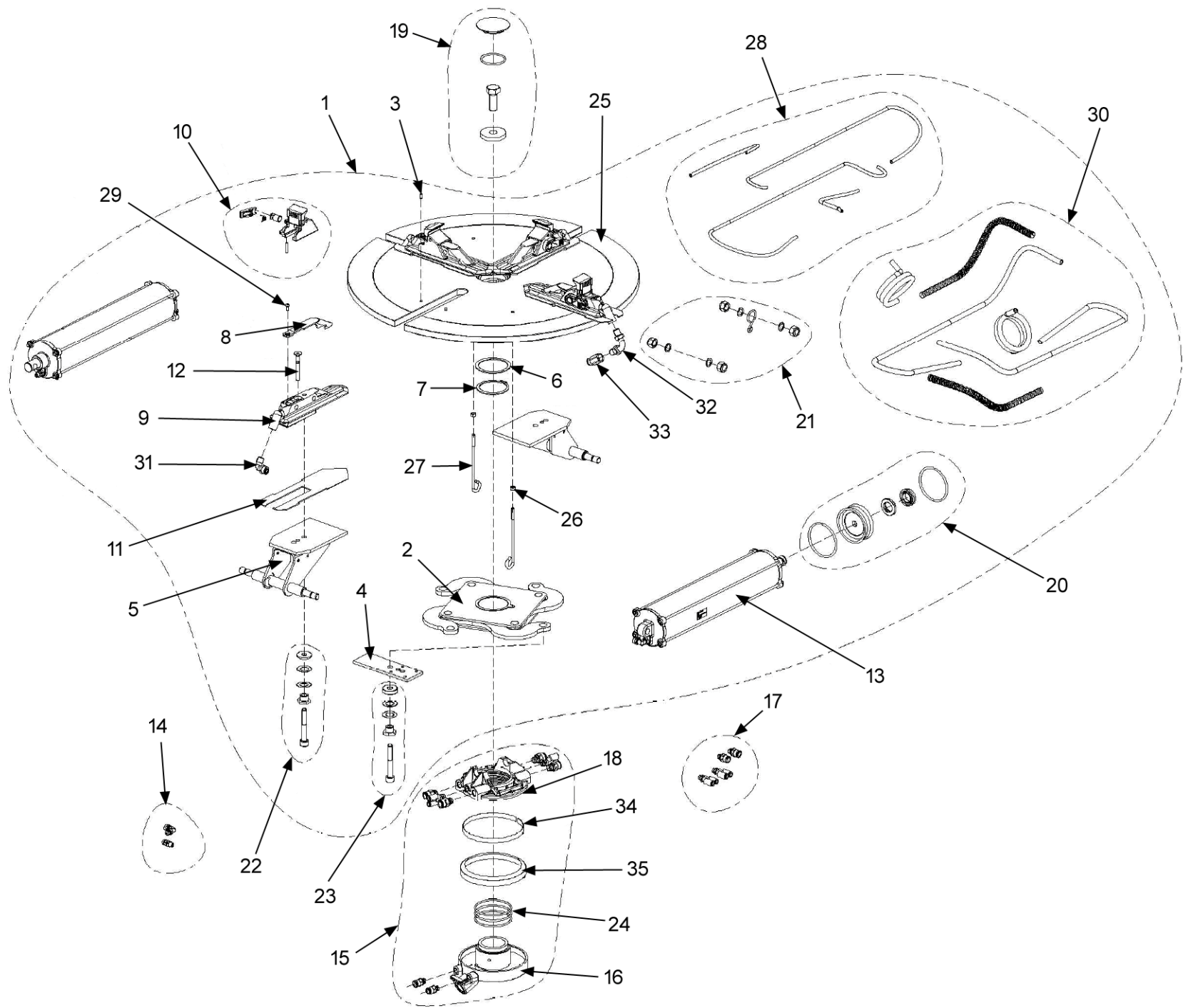


Ref	Qty	Part Number	Description	
3	1	EAK0330G49A	Na Lub. Filter Fixing Kit	
4	1	1-08676A	Cap, Closing	
5	1	EAS2134G52A	Gt Pedal Support	
6	1	ST4029115	Valve, Bead Inflating	EAA0329G75A
8	1	ST7023119	Pin - Straight Slotted 4X30	1-6652
9	1	ST4029114	Inflator Pedal Cataphor	EAS2068G87A
11	1	EAC0100G22A	Cable Protection	
12	1	EAK0306G32A	Screws And Bolts For Gt Valve	
13	1	EAK0306G33A	Screws And Bolts For Gt Pedal	
14	1	8-11616A	Snap Bushing	
15	1	EAK0315G99A	Fittings Kit For Filter	
16	1	EAA0439G90A	Filter-Press.Reg	
17	1	EAA0384G14A	Group, Bead Inflating Pedal	
18	1	EAA0489G30A	Lubricator Filter Group	
19	1	EAA0384G22A	Valve, Air Control	
20	1	1-09176A	Cap, Fitting D6	
21	1	1-12379A	Multi-Tee 08-06	



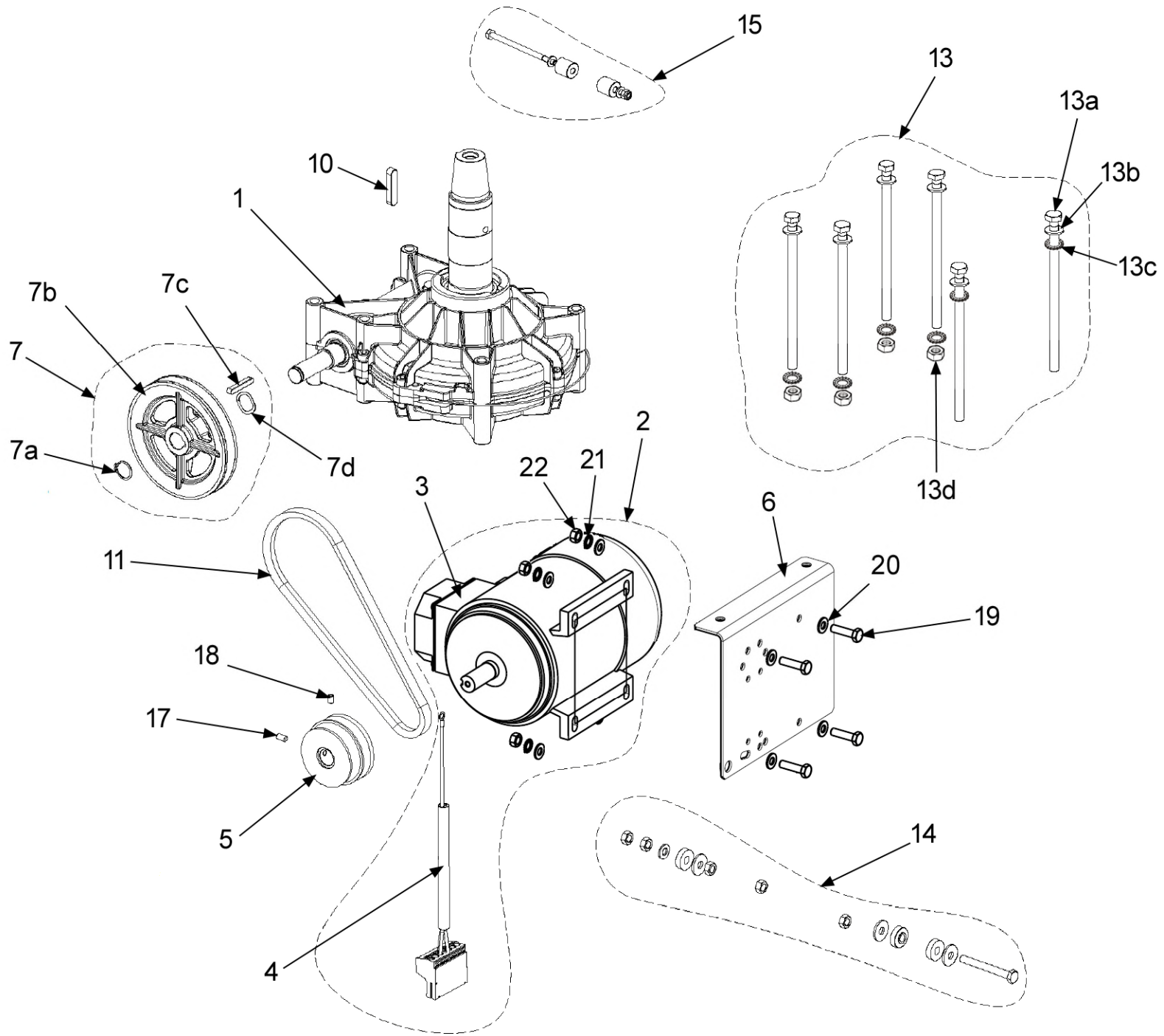
Ref	Qty	Part Number	Description	
1	1	EAS2141J15A	Tower	
2	1	EAA0332G46A	Assy,Gauge-Pressure	
3	2	1-32501A	Screw 8X16 8G	
4	3	1-10041	Washer D.8	
5	1	1-31381A	Valve, Asme Safety, 1/4" Bspt	
6	1	8-06120A	Manometer-Radial 0-16 D.40	
7	1	EAM0067G25A	Screw, Swing Arm Support	
8	2	1-10641	Washer	
9	1	1-21633A	Nut	
10	2	EAM0067G29A	Washer - Adjustment	
11	1	EAA0270J79A	Screw - Arm,Swing - Register	EAC0097G55A
12	1	EAM0010J39A	Swing Arm	
13	2	1-19633B	Nut- M10 6S Blk Uni5589-65	
14	1	EAM0010J43A	Locking Lever	
15	1	1-15933A	Nut M8 Din 936 - Uni 5589	
16	1	EAM0067G26A	Screw, Adjustment- Rod	
17	5	1-10341	Washer - D.14	
18	1	1-6452	Pin, Straight Slotted	
19	1	EAC0078G04A	Handle-Rubber	

Ref	Qty	Part Number	Description	
20	1	EAS2108G36A	Lever, Register	
21	1	1-17609A	Screw, 8X16 8.8 Uni5931-67	
22	1	EAM0140G92A	Cover For Hex Bar	
23	1	EAM0055G22A	Spring,Recall-Tower, Vertical	25457
24	1	EAM0046G11A	Axel Verticale Ch.38	24905
25	1	EAC0094G01A	Shock Absorber- Rod	
26	1	EAA0329G95A	Mounting/Demounting Tool	
27	1	EAM0032G02A	Washer- Tool Clamping	
28	1	1-44901A	Screw	
29	1	EAA0351G06A	Kit Valve Pneumatic	
30	2	EAM0075G29A	Clip, Locking-Hose	
31	1	15658	Fitting, Rub.Holder 1" Long	
32	1	1-17279A	Fitting "L" 6X8 1/8	
33	1	1-29581A	Valve,Air-Controlled	
34	1	1-17179A	Elbow Fitting "L" 4X6 1/4"	
35	1	EAM0071G99A	Fitting , Support M1"-20	
36	5	EAC0078G13A	Back Plastic Rim Protection	
37	5	EAC0113G61A	Plastic Rim Protection	
38	5	EAM0043G53A	Pin M5 Hexagonal Socket	



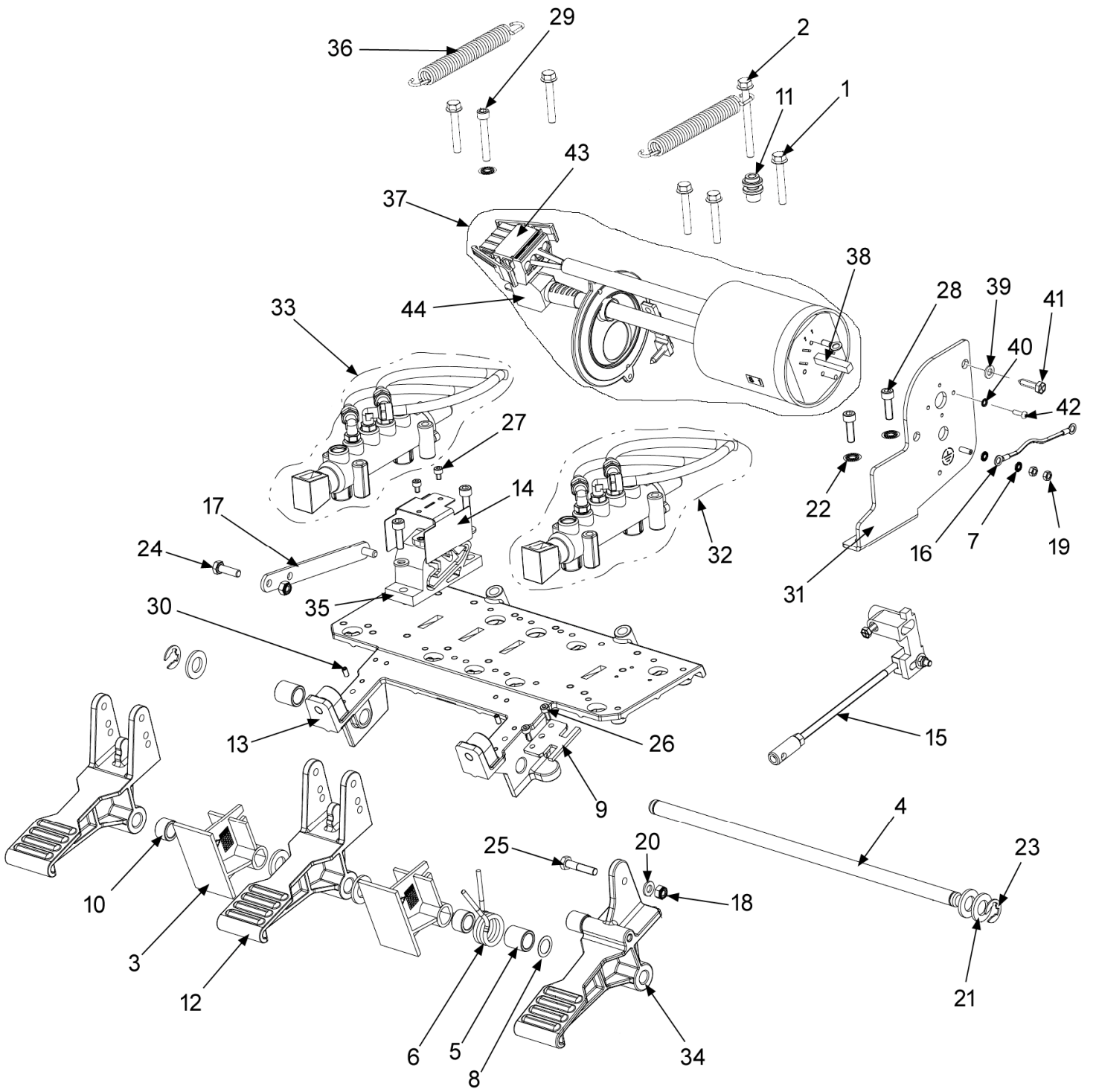
Ref	Qty	Part Number	Description	
1	1	EAA0409G85A	Turntable 24" Center Type No Gt	EAA0489G97A
2	1	EAA0351G73A	Clamp Actioning Plate	EAA0489G39A
3	8	1-25952A	Pin Dowel 5X10 Uni En 28734	
4	2	EAM0043G49A	Plate, Register -Clamp	
5	2	EAA0377G79A	Bracket Cylinders	
6	1	EAM0051G85A	Support,Ring	
7	1	1-18677A	Ring- Stop D.60	
8	4	EAC0099G90A	Protection Jaws New	
9	4	ST0029428	Clamp, Sliding W/Centre 20"	EAM0075G00A
10	4	EAA0408G23A	Assembled Sliding Jaw C/Type V2	
11	4	EAM0051G00A	Sliding Clamp Guide	EAS2201G51A
12	4	1-24603A	Screw Tsei 8X60 12.9	
13	2	EAA0410G31A	Cylinder, Turntable	
14	1	EAK0330G35A	Tt Cylinder Fittings Kit	
15	1	EAA0304G69A	Revolving Manifold, Tubeless Inflator	
16	1	EAA0338G27A	Ring-Inside, With Supports	
17	1	EAK0330G28A	Revolving Manifold Fittings Kit	
18	1	EAA0338G76A	Ring,Outer - Manifold	
19	1	EAK0306G25A	Turntable Fixing Kit	

Ref	Qty	Part Number	Description	
20	2	EAK0317G36A	Seal For Round Cylinder	
21	1	EAK0306G27A	Screws And Bolts For Turntable Cyl.	
22	2	EAK0329G89A	Screws And Bolts For Clamps	
23	2	EAK0329G88A	Screws And Bolts With Eccentric	
24	3	8-10814A	Seal Or D.69.44X3.53	
25	1	EAS2153G40A	Turntable Flange, C/Type	EAA0481G73A
26	2	1-11633A	Nut-Hex. M6 6S	
27	2	EAM0051G90A	Support, Pipe Gt (White Galvan.)	
28	1	EAK0341G62A	Turntables Hoses Kit	
29	4	1-36109A2	Screw Tbei 5X10 8G	
30	1	EAK0341G63A	Turntable Hoses Kit For Gt	
31	2	1-14379A	Fitting-90 Deg L 1/4 8X10	
32	2	EAM0051G83A	Pipe For Terminal Gt	
33	2	1-27379A	Fitting, Swift F.8X10 1/4"	1-14479A
34	1	EAA0338G77A	Spring, Joint Sealing	
35	1	EAC0087G50A	Seal Tubeless Inflator-Front Joint	



Ref	Qty	Part Number	Description	
1	1	EAA0382G23A	Gearbox	EAA0457G27A
2	1	EAA0534G62A	1 Phase Us Motor Cable Assembly	
3	1	2-99966A	Motor 1Phase 115V 60Hz 1Hp	
4	1	EAW0277G10A	1Ph 115V Motor Cable	
5	1	EAM0154G58A	Pulley DP=2 Hole D 5/8	
6	1	EAS2131G28A	Motor Support	
7	1	EAK0341G09A	Reduction Unit Pulley Kit	
7a	1	1-18577A	Snap Ring	
7b	1	EAM0125G94A	Pulley DP 130 Alu-Cast Machined	
7c	1	1-03472A	Key 6 x 6 x 45	
7d	1	1-24477A	Elastic Copensation Ring	
10	1	1-1572	Key-10X8X45	
11	1	EAC0078G58A	V Belt, A-26	
12	1	EAK0279G63A	Screws Kit For 1Phase Motor	
13	1	EAK0279G65A	Screws Kit For Gearbox	
13a	6	1-50401A	Screw 10 x 160	
13b	6	1-10141A1	Washer D10	
13c	6	13148	Ext Shakeproof D10	
13d	6	1-15433	Nut M10	

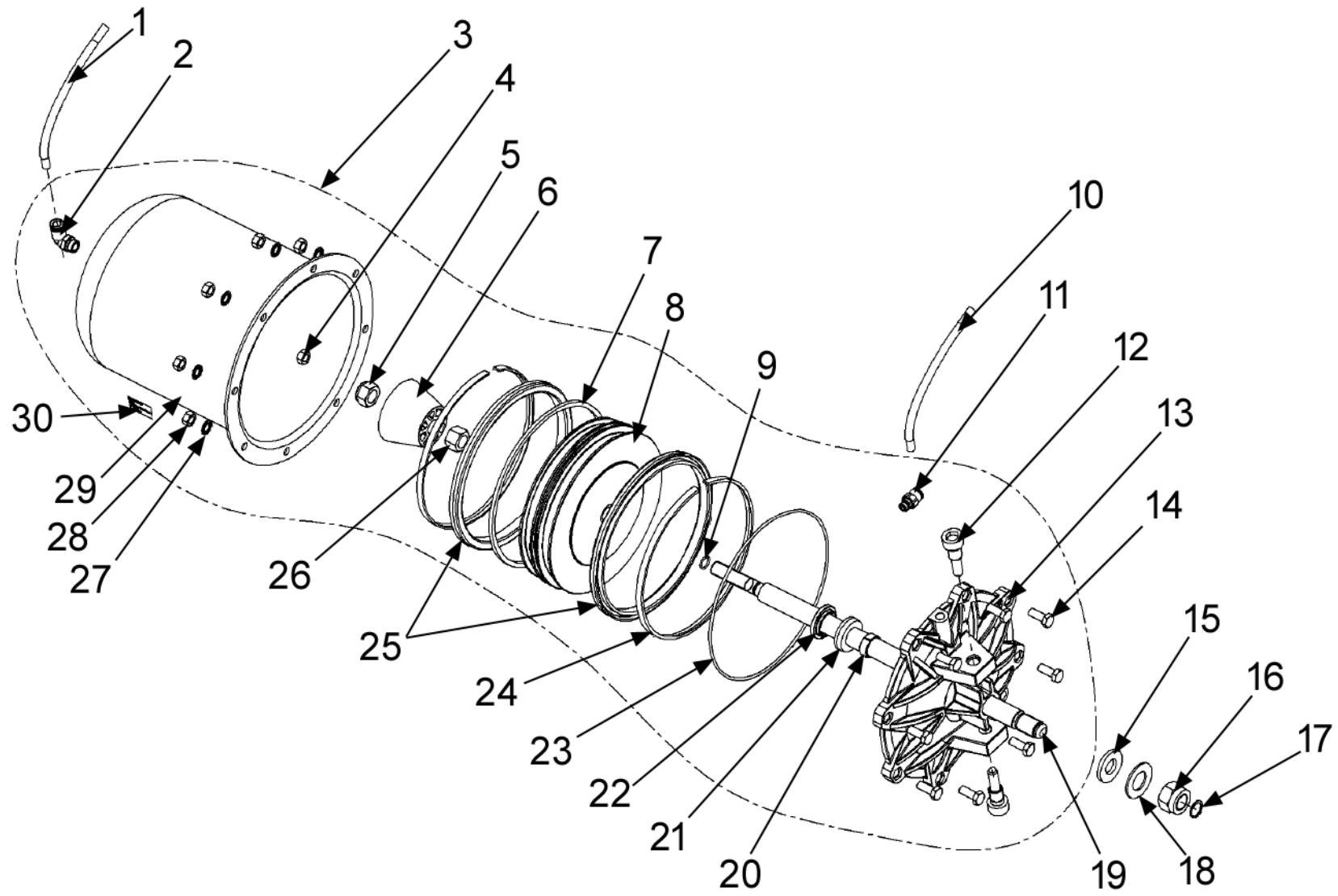
Ref	Qty	Part Number	Description	
14	1	EAK0279G66A	Belt Tightener Kit	
	1	1-10033	Lock Nut M8	
	3	1-15933A	Nut M8-Hex 1.25mm	1-11733
	1	1-10041	Washer D8 x 17	
	3	EAC0097G54A	Shock Absorber washer	
	3	1-17841	Washer D8 x 24	
	1	1-33501A	Screw M8 x 65	
15	1	EAK0279G67A	Antirotaion Kit	
	1	1-50301A	Screw M6 x 10	
	2	1-9841	Washer D6	
	2	EAM0032G93A	Antirotaion Bushing	
	1	1-01637A	Nut M6	
17	1	1-54210A	Set Screw M6X10 Hex socket	
18	1	1-48910A	Set Screw M6X10	
19	4	1-32601	Screw Hex Head M8 x 20	
20	8	1-10041	Washer M8	
21	4	1-3048	Washer Ext Tooth	
22	4	1-15933A	Nut-Hex M8 - 1.25mm	1-11733



Ref	Qty	Part Number	Description
NS	1	EAA0372G43A	Complete Pedal Assembly
1	5	1-12626A	Screw Hex Flange Head M6 X 40mm
2	2	1-12726A	Screw Hex Flange Head M6 X 65mm
3	2	EAC0096G11A	Spacer-Pedal
4	1	EAM0068G10A	Shaft-Hinge Pedal
5	2	EAM0048G79A	Bushing Centering Spring
6	1	EAM0048G78A	Spring, Pedal Switch
7	2	1-5547	Beveled Serrated Washer
8	1	1-25241A	Shim Ring D.12.2 X18 X 0.3 mm Din988
9	1	EAM0070G32A	Commutator Spring Guide
10	2	EAM0070G46A	Spacer L=11 mm Centering Spring
11	2	EAC0099G82A	Spring Fixing Pawl
12	2	EAM0068G95A	Standard Pedal Machined
13	1	EAM0068G80A	Pedal Assembly Support - Machined
14	1	EAS2115G09A	Protection Sheet For Cam
15	1	EAA0347G61A	Rod Register Switch
16	1	EAA0357G73A	Cable, Earth
17	1	EAS2111G73A	Rod Positioner Pedal
18	2	1-9933	Nut, Prevailing Toroué M6
19	2	1-15833A	Hex Nut M4 Brass

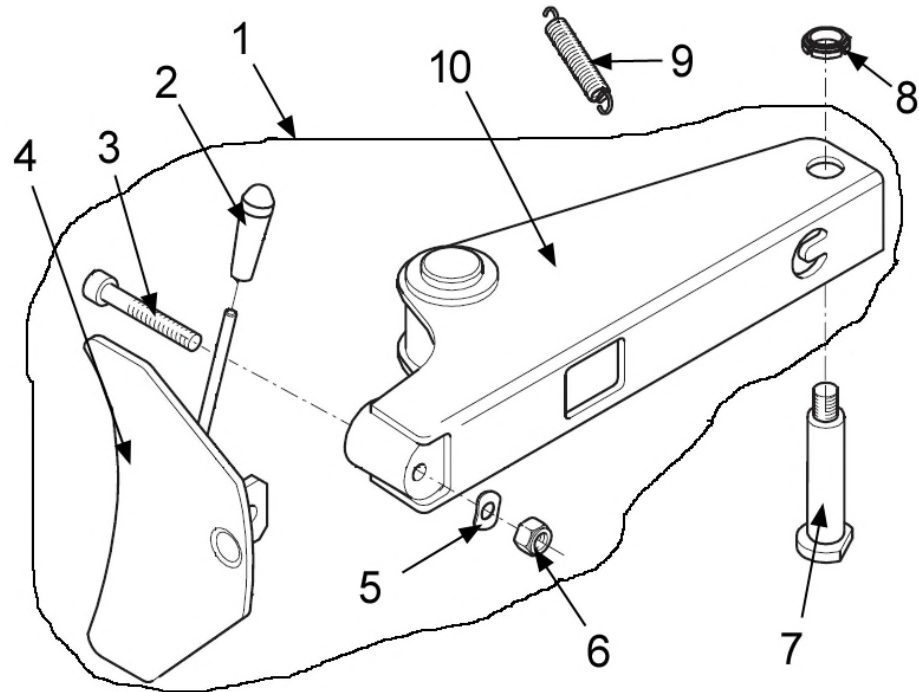
Ref	Qty	Part Number	Description
20	3	1-9841	Washer, Plain D6 Zinc.Un16592-69
21	5	1-10241A	Washer, Iso 7089 (Din 125,1)
22	3	1-1548	Washer, Ext. Shakeproof D6
23	2	1-18477A	Retaining Ring 10 x 1.2mm
24	1	1-14801A	Screw Hex Head Machine M6 x 20
25	1	1-50201A	Screw Hex Head Machine
26	2	1-13409	Screw Hex Socket Cap Head, M4 x 10 A2
27	2	1-46809	Screw-Hshc M4.6 8.8 -A2J
28	4	1-16409	Screw - Hex Socket Head Cap Din 912
29	1	1-56209A	Screw Hex Socket Head M6 x 40
30	2	1-38910	Screw M4 x 8 Set Cup Zp
31	1	EAA0394G62A	1S Switch Support Asm
32	1	EAA0440G87A	Bead Breaker Pedal Hoses With Valve
	1	EAA0356G94A	Bead Breaker Valve
	1	EAA0440G84A	Hose group
33	1	EAA0440G88A	Turntable Pedal Hoses With Valve
	1	EAA0356G94A	Turntable Valve
	1	EAA0440G85A	Hose group
34	1	EAA0536G27A	Right Switch Foot Pedal
35	1	EAC0103G56A	Foot Pedal Cam

Ref	Qty	Part Number	Description
36	2	EAM0147G64A	Spring Recall Pedals
37	1	EAA0394G36A	115V 1 Phase Switch Assembly US
38	1	2-16759A	1 Phase Rotary Switch 4030044
39	2	1-9741	Washer Plain D5
40	2	1-1248	Washer Shake Proof M3
41	2	1-24223A	Screw Selfthread
42	2	1-27406A	Screw PHMS M3 x 10
43	1	EAW0277G09A	Pedal Switch Motor Cable
44	1	EAW0276G32A	Cable with CSA Plug



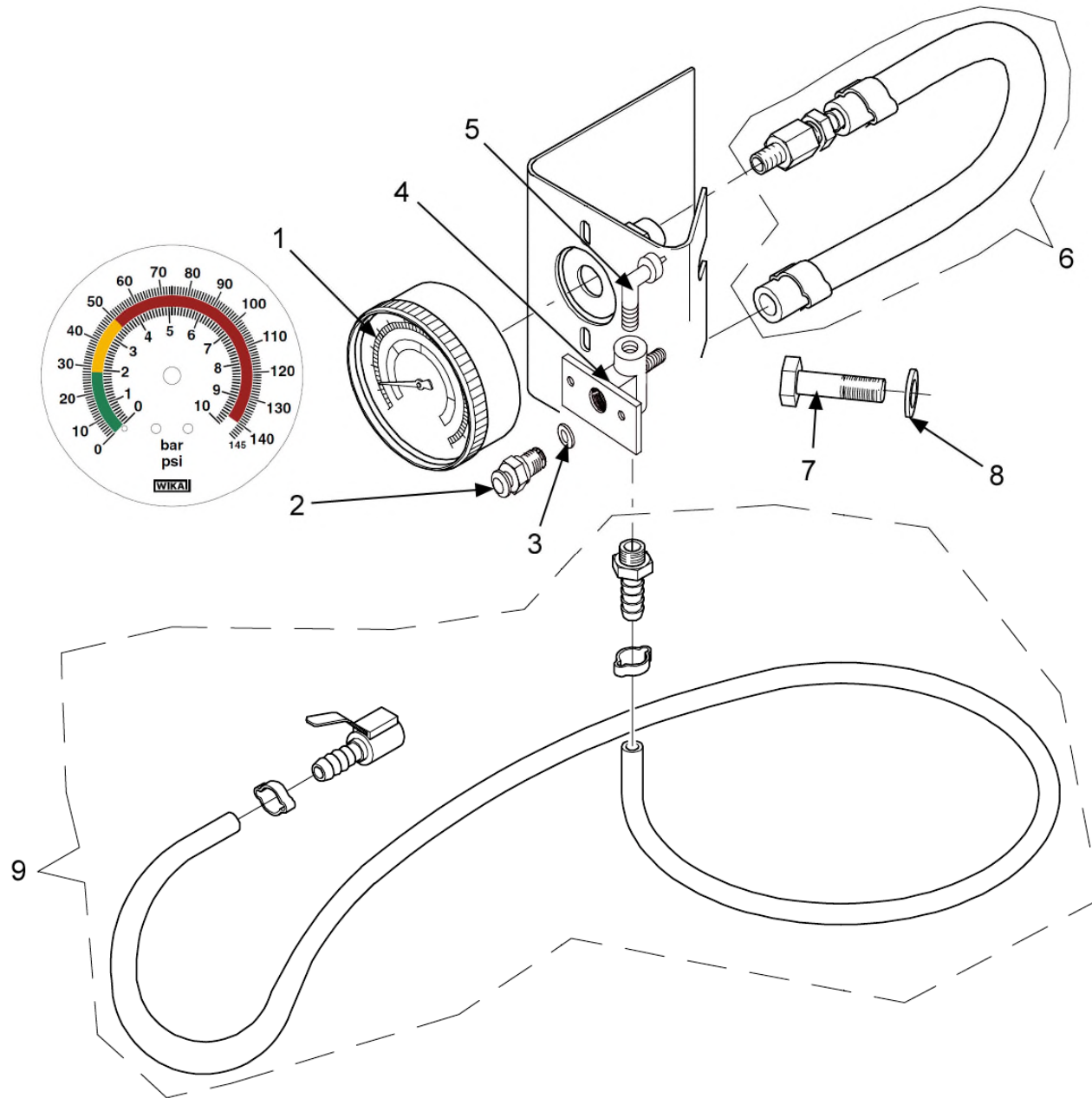
Ref	Qty	Part Number	Description	
1	mr	5-06335a	Hose - Air 6 x 8 sold by the meter	EAM0069G97A
2	1	1-20179A	Fitting "L" 6 x 8	
3	1	EAA0329G49A	Cylinder, Bead Breaker	
4	1	1-16433A	Nut 1/4" X 0.25"	
5	1	ST7020409	Nut-S.Lock,Low- M14	1-10433
6	1	EAM0048G04A	Limit Switch Rubber Pad	
7	1	ST0010597	Ring- Plastic	EAC0078G35A
8	1	ST0009279	Piston	EAC0094G40A
9	1	8-18314A	Seal-Or D.11	
10		5-06635A	Hose - Air 6 x 8 sold by the meter	EAM0069G97A
11	1	ST0001924	Fitting-St 6 x 8 1/8	1-11379A
12	1	EAM0067G34A	Screw,Fitting- Cylinder B/Break	
13	1	ST0013409	End Cap-Cylinder/Bead Breaker	EAC0078G36A
14	8	1-32601	Screw Te 8 x 20 8.8	
15	1	EAM0075G25A	Washer, Felt	
16	1	1-20933A	Nut	
17	1	1-3977	Retaining Ring For Shafts D16	
18	1	EAM0075G26A	Washer, Black Plastic	
19	1	EAM0048G07A	Rod Bead-Breaker Cylinder	
20	1	ST0024686	Ring For Rod Guide D.20	EAC0078G18A

Ref	Qty	Part Number	Description	
21	1	ST0001683	Seal, Lip I.D.20 O.D.36 Th.8 On Shaft	8-09614A
22	1	ST0001684	Retainer-Seal D20	EAC0078G10A
23	1	8-10014A	O-Ring I.D.183.82 x 2.62	
24	2	ST0001470	Ring-Piston, Bead Breaker	EAC0078G34A
25	2	ST0001415	Seal - Lip N D.184	8-10114A
26	1	1-20433A1	Nut-Lock M14 6S White Zinc	
27	8	1-1748	Washer Shakeproof D8	
28	8	1-15933A	Nut-Hex M8 - 1.25mm	1-11733
29	1	EAS2068G62A	Cylinder Chamber	
30	1	EAL0383G03A	Plate Cylinder D.E.	
NS	1	EAK0306G19A	Cylinder Seal Kit includes items #9, 15, 18, 20, 21, 22, 23, 24, 25	



Ref	Qty	Part Number	Description
1	1	EAA0338G45A	Bead Breaker Arm assembly
2	1	EAC0078G04A	Handle
3	1	1-22609	Screw Hex Socket M14 x 10
4	1	ST4021305	Blade Bead - Breaker
5	1	ST7021329	Washer D14mm
6	1	ST7020409	Nut - S Lock, Low M14
7	1	EAM0086G16A	Pin Bead Breaker Arm
8	1	1-02138A	Nut Ring M20
9	1	EAM0067G69A	Spring-Recall Arm, Bead Breaker
10	1	ST4025141	Arm, Bead Breaker

Complete Assembly EAA0332G46A



Ref	Qty	Part Number	Description
1	1	8-06820A	Gauge-Air BAR / PSI
2	1	EAA0328G57A	Bleeder Valve
3	1	EAM0043G64A	Washer, Bleeder Valve
4	1	EAC0078G59A	Body Bleeder Valve
5	1	1-11479A	Fitting - L 6 x 8 1/8
6	1	EAH0049G12A	Hose - Gauge Fitting
7	2	1-32501A	Screw 8 x 16
8	2	1-10041	Washer D8



Notice: The information contained in this document is subject to change without notice. Hofmann makes no warranty with regard to this material. Hofmann shall not be liable for errors contained herein or for incidental consequential damages in connection with furnishings, performance, or use of this material.

309 Exchange Ave
Conway, AR 72032
501-450-1500

Monty 1575 Spare Parts List

Monty1575B_TS

DSS

07/2023